

Solid State Flipper Board 40001

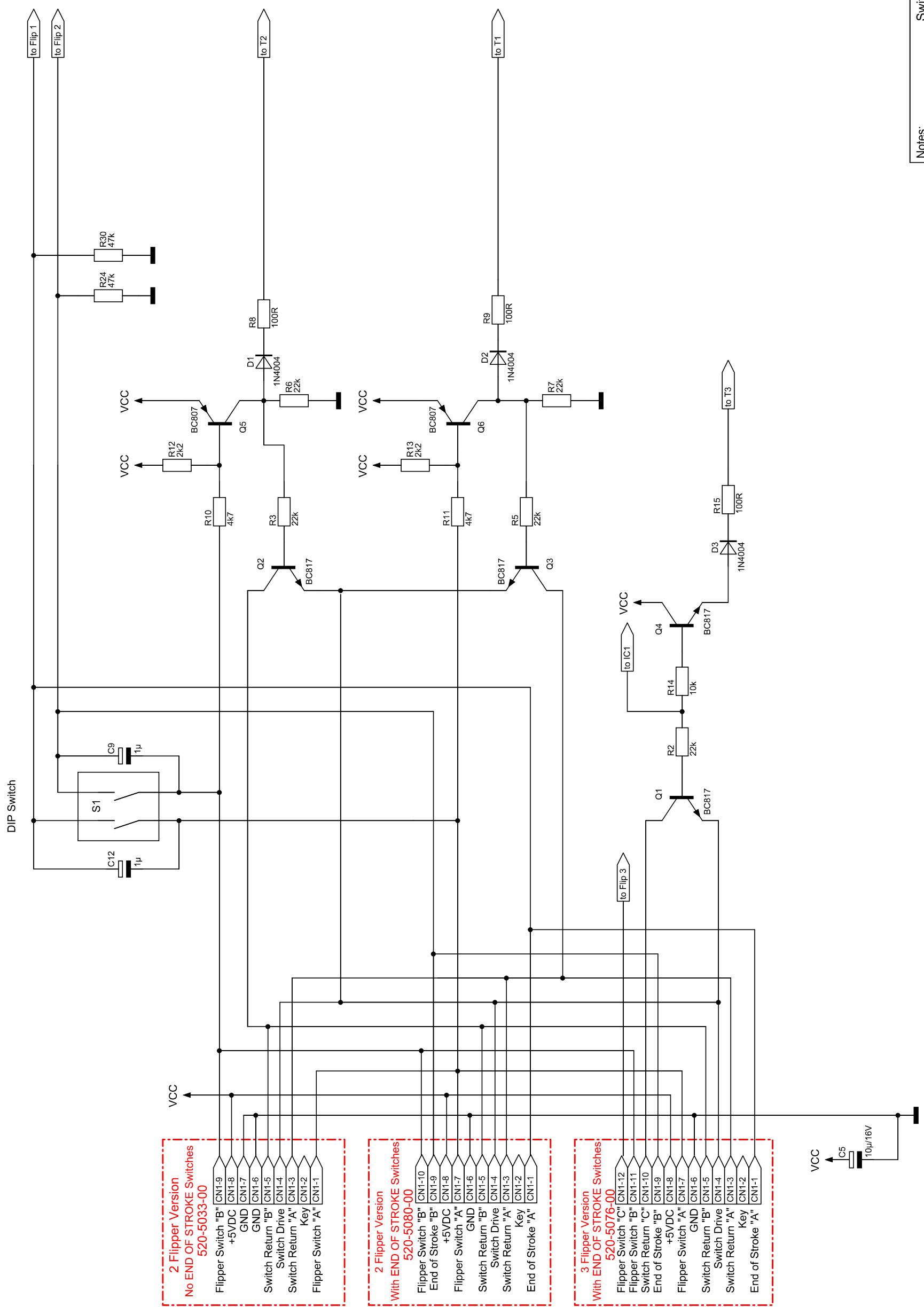
Board Part Number / Platinenbauteilenummer 2006026 Rev.B

Schematics / Schaltpläne

© 2006 by PinLED

Contents - Inhalt

Page 3 / Seite 3.....	Switch circuit/ Schalterkreis
Page 4 / Seite 4.....	Digital Section / Digitalsektion
Page 5 / Seite 5.....	Driver Section / Treibersektion
Page 6 / Seite 6.....	Parts List / Bauteilleiste



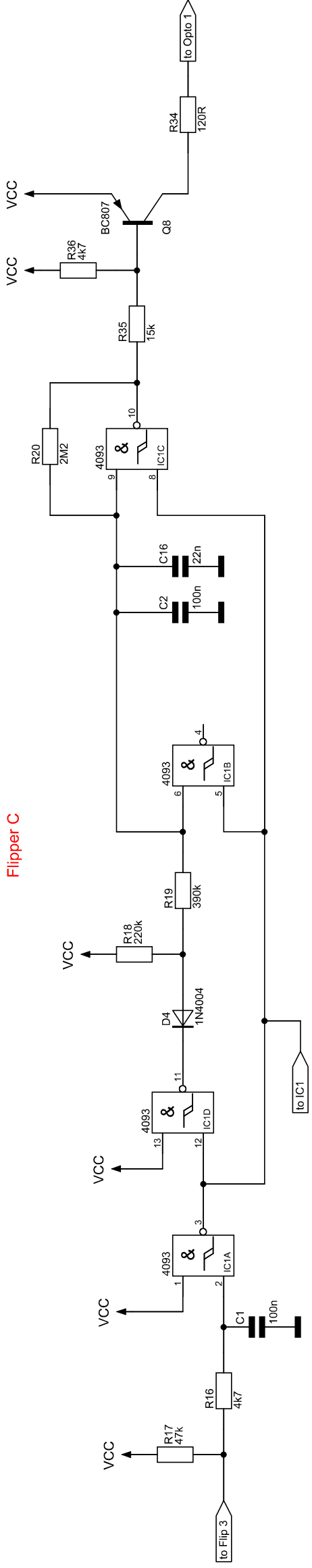
2 Flipper Version
No END OF STROKE Switches
520-5033-00
 Flipper Switch "B" [CN1-9]
 +5VDC [CN1-8]
 GND [CN1-7]
 GND [CN1-6]
 Switch Return "B" [CN1-5]
 Switch Drive [CN1-4]
 Switch Return "A" [CN1-3]
 Key [CN1-2]
 Flipper Switch "A" [CN1-1]

2 Flipper Version
With END OF STROKE Switches
520-5080-00
 Flipper Switch "B" [CN1-10]
 End of Stroke "B" [CN1-9]
 +5VDC [CN1-8]
 Flipper Switch "A" [CN1-7]
 GND [CN1-6]
 Switch Return "B" [CN1-5]
 Switch Drive [CN1-4]
 Switch Return "A" [CN1-3]
 Key [CN1-2]
 End of Stroke "A" [CN1-1]

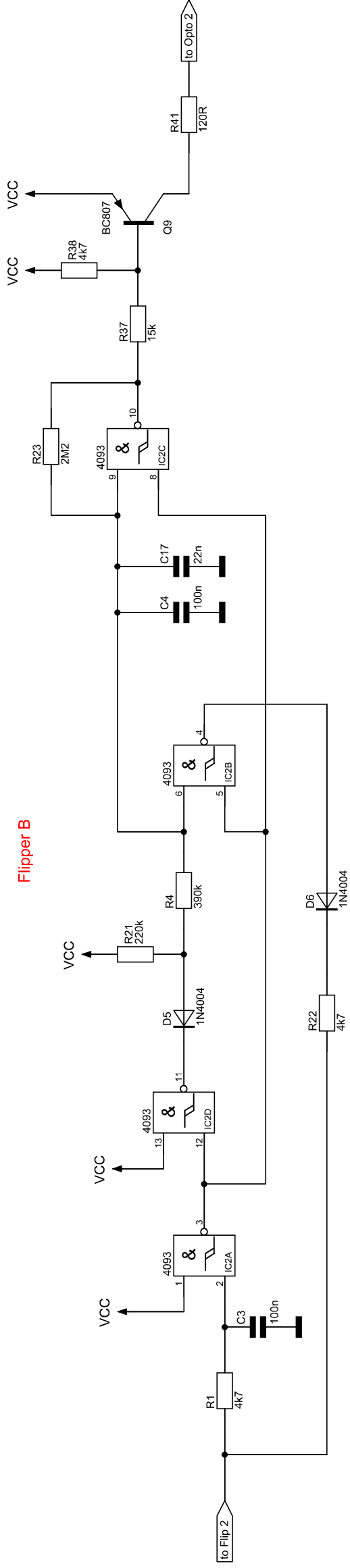
3 Flipper Version
With END OF STROKE Switches
520-5076-00
 Flipper Switch "C" [CN1-12]
 Flipper Switch "B" [CN1-11]
 Switch Return "C" [CN1-10]
 End of Stroke "B" [CN1-9]
 +5VDC [CN1-8]
 Flipper Switch "A" [CN1-7]
 GND [CN1-6]
 Switch Return "B" [CN1-5]
 Switch Drive [CN1-4]
 Switch Return "A" [CN1-3]
 Key [CN1-2]
 End of Stroke "A" [CN1-1]

Notes: Switch circuit / Schaltkreis
 Solid State Flipper Board
PinLED
 Date: 05/13/06
 Name: A.Foerster
 Copyright 2006
 by A.Foerster
 PN: 2006026
 Rev: B
 Boardname:
 40001

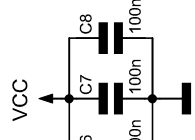
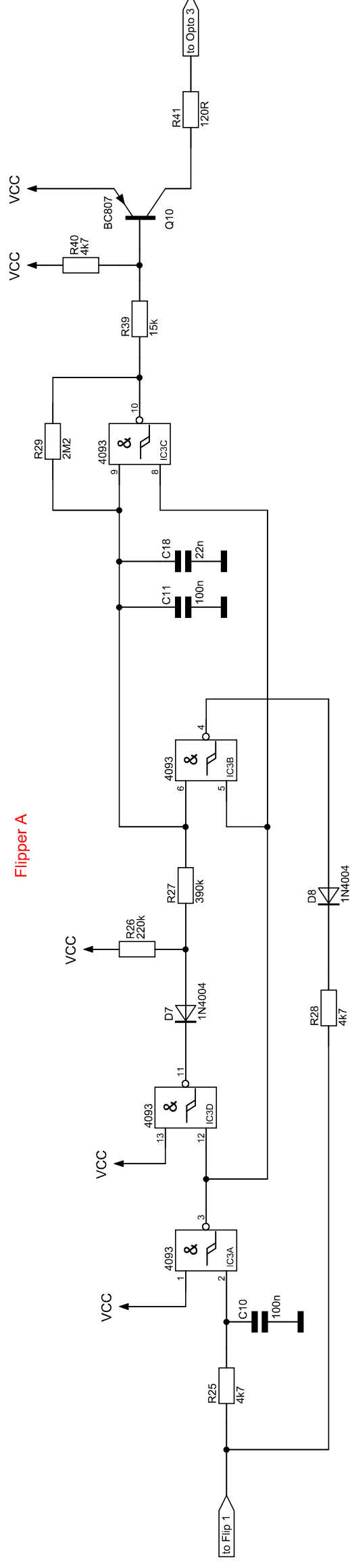
Flipper C



Flipper B



Flipper A



Notes: Digital section / Digitalsektion

Date: 05/13/06

Name: A.Förster

Copyright 2006
by A.Förster

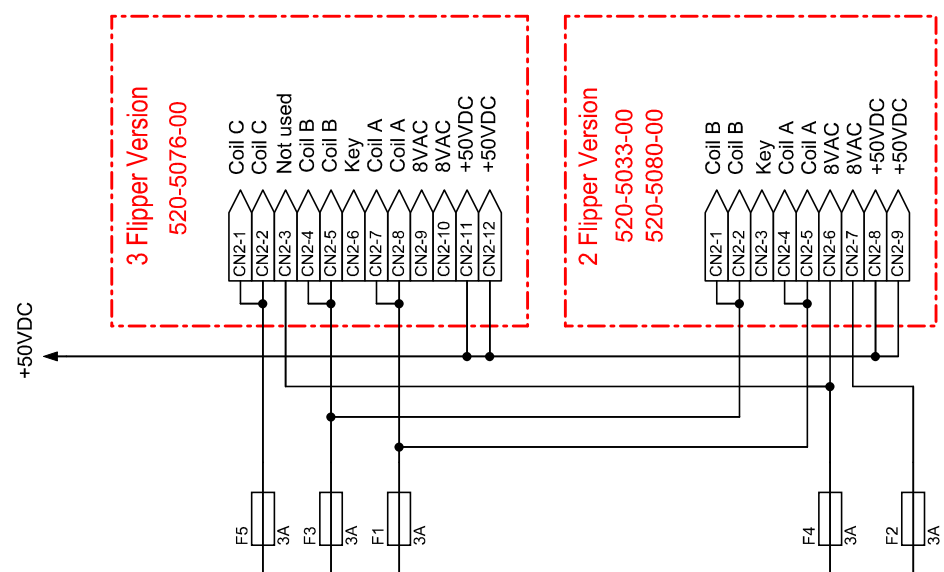
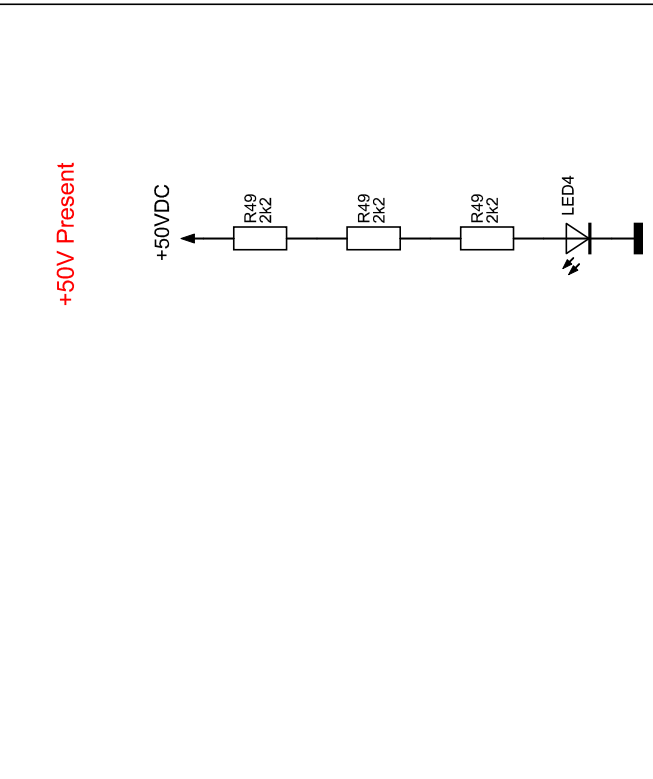
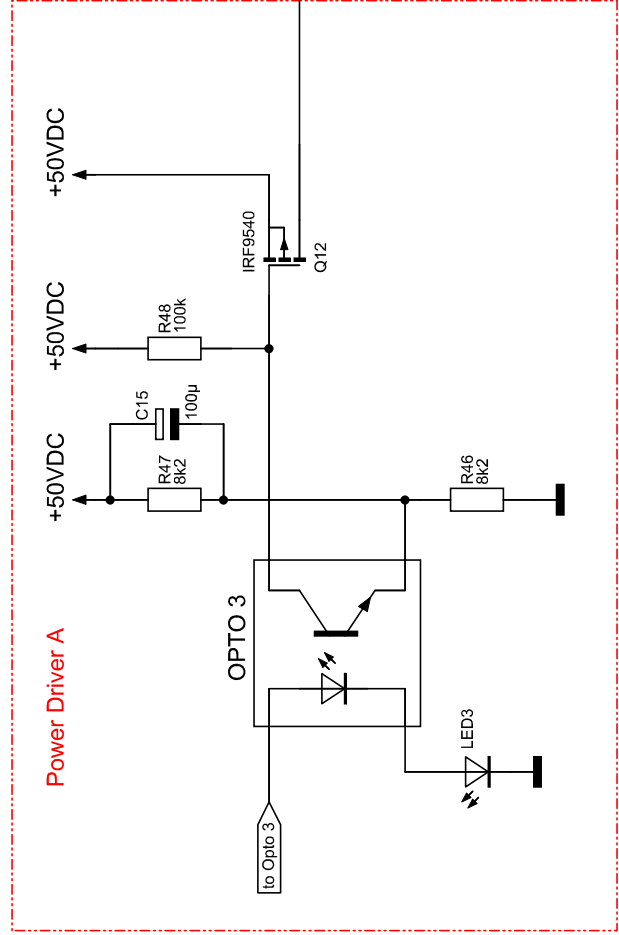
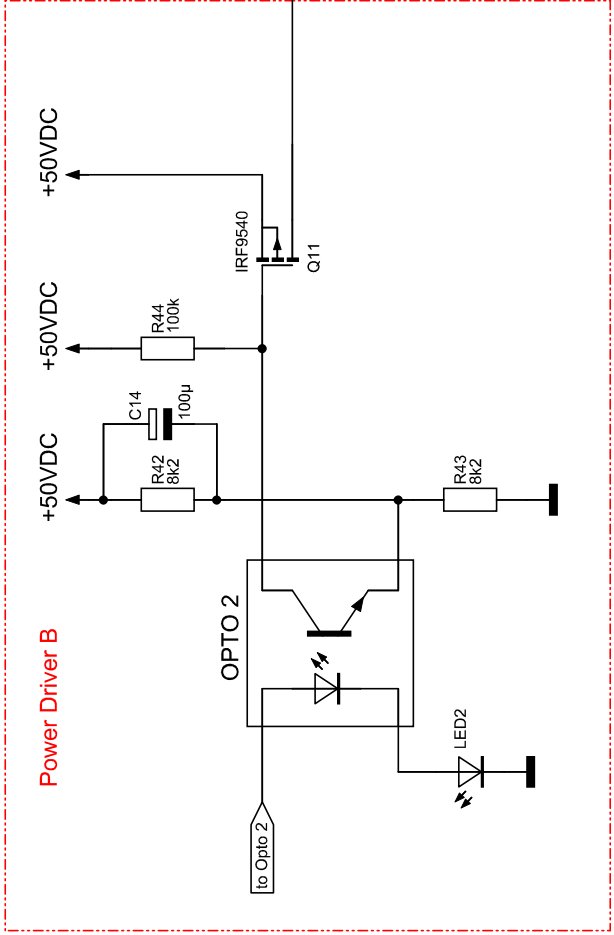
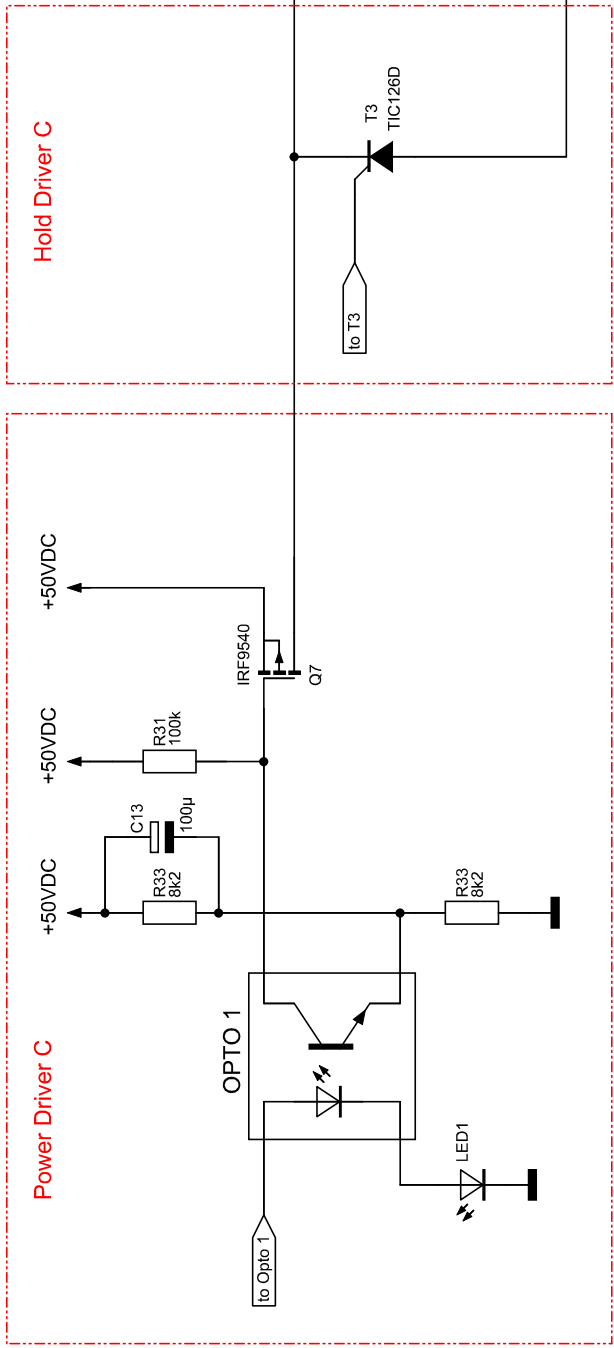
Solid State Flipper Board

PN: 2006026

Rev: B

Boardname:
40001

PinLED



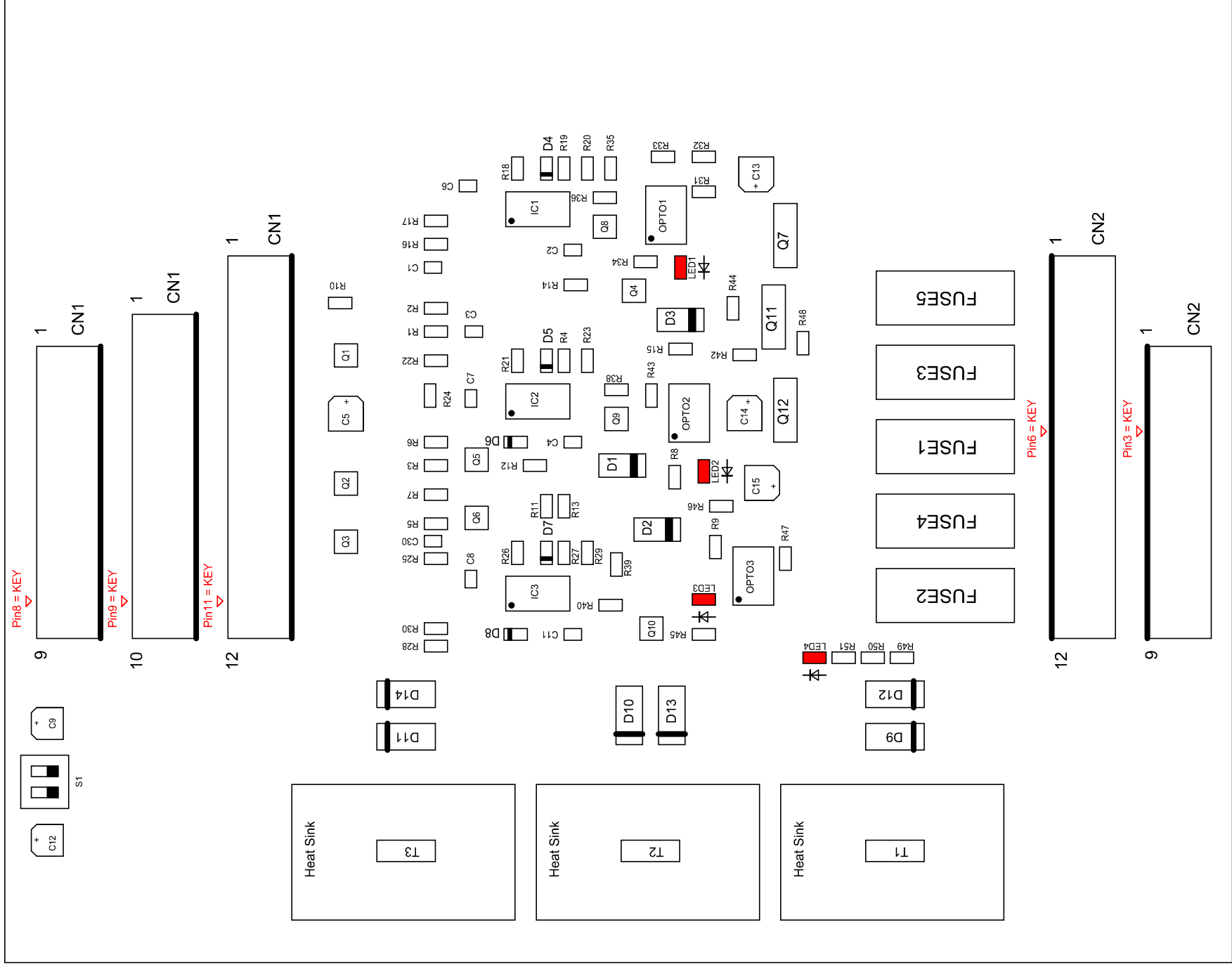
Notes: Driver section / Treibersektion	
Date: 05/13/06	PN: 2006026
Name: A.Förster	Rev: B
Copyright 2006 by A.Förster	Boardname: 40001

PinLED

Solid State Flipper Board

Parts List / Bauteilliste

C1, C2, C3, C4, C6, C7, C8, C10, C11	100nF	0805
C16, C17, C18	22nF	0805
C9, C12	1µF/50V	SMD
C5	10µF/16V	SMD
C13, C14, C15	100µF/25V	SMD
D4, D5, D6, D7, D8	1N4148	SOD80C
D1, D2, D3	1N4004	SOD106W
D9, D10, D11, D12, D13, D14	1N5402	
F1, F2, F3, F4, F5	3A, S. B.	5x20mm
IC1, IC2, IC3	MOS4093D	SO14
CN1, CN2	MLSS156-9	3.96mm
CN1	MLSS156-10	3.96mm
CN1, CN2	MLSS156-12	3.96mm
LED1, LED2, LED3, LED4	LED Red 20mA	1206
OPTO1, OPTO2, OPTO3	SFH6106-3	
Q1, Q2, Q3, Q4	BC817	SOT23
Q5, Q6, Q8, Q9, Q10	BC807	SOT23
Q7, Q11, Q12	IRF9540	
R2, R3, R5, R6, R7	22k	1206
R12, R13, R32, R42, R47, R49, R50, R51	2k2	1206
R14	10k	1206
R4, R19, R27	390k	1206
R17, R24, R30	47k	1206
R18, R21, R26	220k	1206
R31, R44, R48	100k	1206
R20, R23, R29	2M2	1206
R33, R43, R46	8k2	1206
R34, R41, R45	120R	1206
R1, R10, R11, R16, R22, R25, R28, R36, R38, R40, 4k7	15k	1206
R35, R37, R39	100R	1206
R8, R9, R15	100R	1206
S1	2xDIP Switch	
T1, T2, T3	TIC126D	



Notes:		Parts List / Bauteilliste	
Date: 05/13/06	Solid State Flipper Board		PN: 2006026
Name: A.Förster			Rev: B
Copyright 2006 by A.Förster		Boardname: 40001	

PinLED